

LOW CAPACITANCE TVS DIODE ARRAY

APPLICATIONS

- ◆ Cellular Handsets and Accessories
- ◆ High Speed I/O Lines
- ◆ Notebooks & Handhelds
- ◆ Peripherals
- ◆ Personal Digital Assistants (PDA)
- ◆ Servers, Notebook, and Desktop PC

IEC COMPATIBILITY

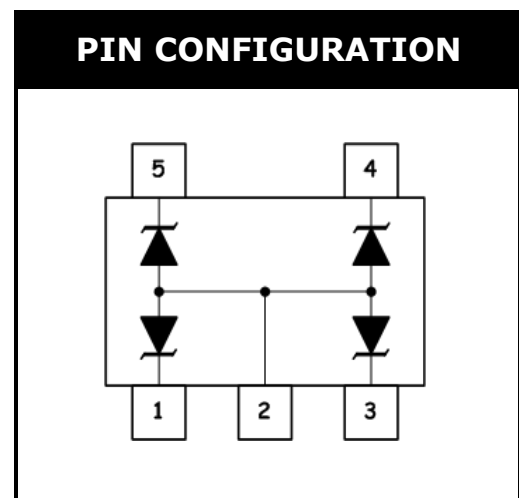
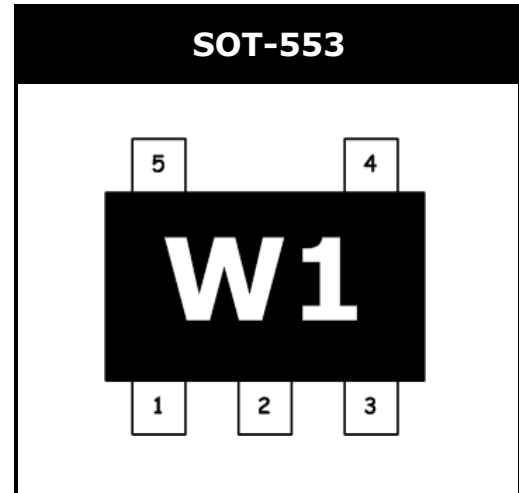
- ◆ IEC61000-4-2 (ESD) $\pm 15\text{kV}$ (air), $\pm 8\text{kV}$ (contact)
- ◆ IEC61000-4-4 (EFT) 40A (5/50 η s)

FEATURES

- ◆ 20 Watts Peak Pulse Power per Line ($t_p=8/20\mu\text{s}$)
- ◆ Protects Four I/O Lines (Unidirection)
- ◆ Low Clamping Voltage
- ◆ Working Voltages : 3.3, 5.0, 12V
- ◆ Low Leakage Current

MECHANICAL CHARACTERISTICS

- ◆ SOT-553 Package
- ◆ Molding Compound Flammability Rating : UL 94V-0
- ◆ Weight 2.7 Milligrams (Approximate)
- ◆ Quantity Per Reel : 3,000pcs
- ◆ Reel Size : 7 inch
- ◆ Lead Finish : Lead Free



DEVICE CHARACTERISTICS

MAXIMUM RATINGS (@ 25°C Unless Otherwise Specified)			
PARAMETER	SYMBOL	VALUE	UNITS
Peak Pulse Power (tp=8/20µs waveform)	P _{PP}	20	Watts
Lead Soldering Temperature	T _L	260 (10 sec.)	°C
Operating Temperature Range	T _J	-55 ~ 150	°C
Storage Temperature Range	T _{STG}	-55 ~ 150	°C

ELECTRICAL CHARACTERISTICS PER LINE (@ 25°C Unless Otherwise Specified)									
PART NUMBER	DEVICE MARKING	V _{RWM}	V _B	I _T	V _C	V _C		I _R	C _T
		(V) (max.)	(V) (min.)	(mA)	@1A (max.)	(max.)	(@A)	(µA) (max.)	(pF) (typ.)
ESDA3304T5	W1	3.3	4.5	1	8.5	12	2	0.5	9

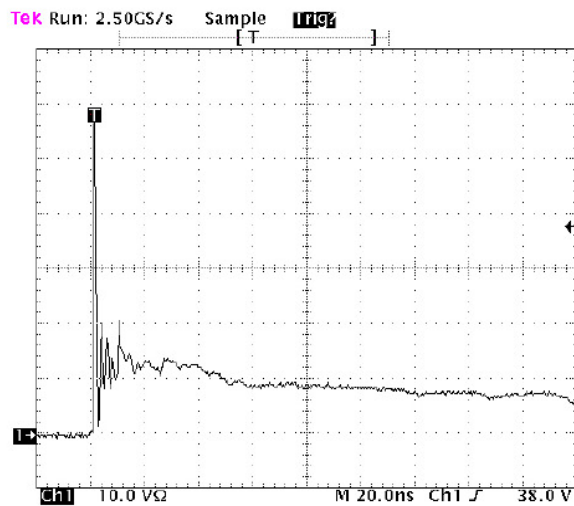


Figure 1. ESD Clamping Voltage Screenshot
Positive 8 kV contact per IEC 61000-4-2

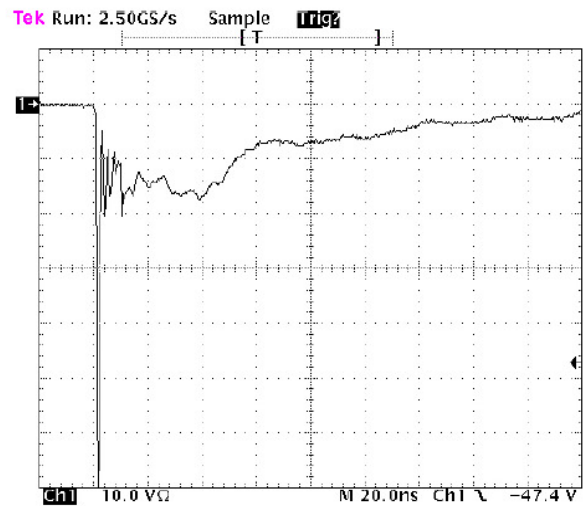
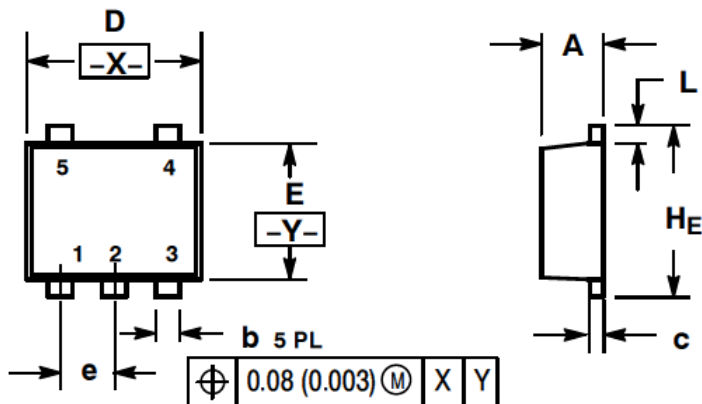


Figure 2. ESD Clamping Voltage Screenshot
Negative 8 kV contact per IEC 61000-4-2

SOT-553 PACKAGE OUTLINE & DIMENSIONS



DIM	MILLIMETERS			INCHES		
	MIN	NOM	MAX	MIN	NOM	MAX
A	0.50	0.55	0.60	0.020	0.022	0.024
b	0.17	0.22	0.27	0.007	0.009	0.011
c	0.08	0.13	0.18	0.003	0.005	0.007
D	1.50	1.60	1.70	0.059	0.063	0.067
E	1.10	1.20	1.30	0.043	0.047	0.051
e	0.50 BSC			0.020 BSC		
L	0.10	0.20	0.30	0.004	0.008	0.012
HE	1.50	1.60	1.70	0.059	0.063	0.067

* SOLDERING FOOTPRINT

